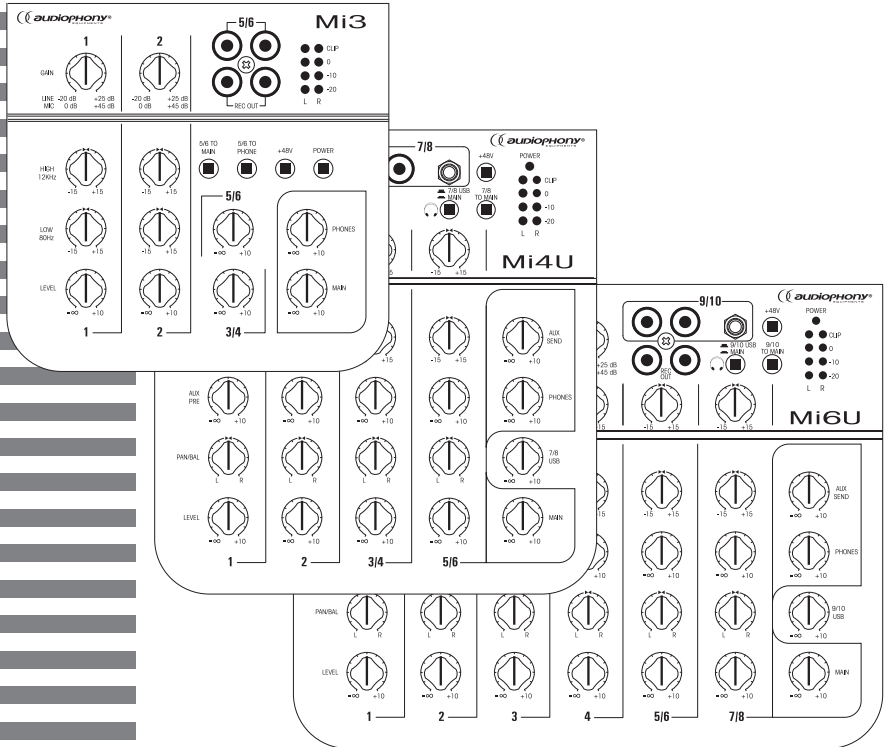


Compact Mixers



Mi3

Mi4U

Mi6U

1 - Safety information

Important safety information



This product contains non-isolated electrical components. Do not undertake any maintenance operation when it is switched on as it may result in electric shock.



This unit is intended for indoor use only. Do not use it in a wet, or extremely cold/hot locations. Failure to follow these safety instructions could result in fire, electric shock, injury, or damage to this product or other property.



Any maintenance procedure must be performed by a CONTEST authorised technical service. Basic cleaning operations must thoroughly follow our safety instructions.

Symbols used



This symbol signals an important safety precaution.



The CAUTION symbol signals a risk of product deterioration.



The WARNING symbol signals a risk to the user's physical integrity. The product may also be damaged.

Instructions and recommendations

1 - Please read carefully :

We strongly recommend to read carefully and understand the safety instructions before attempting to operate this unit.

2 - Please keep this manual :

We strongly recommend to keep this manual with the unit for future reference.

3 - Operate carefully this product :

We strongly recommend to take into consideration every safety instruction.

4 - Follow the instructions:

Please carefully follow each safety instruction to avoid any physical harm or property damage.

5 - Avoid water and wet locations :

Do not use this product in rain, or near washbasins or other wet locations.

6 - Installation :

We strongly encourage you to only use a fixation system or support recommended by the manufacturer or supplied with this product. Carefully follow the installation instructions and use the adequate tools.

Always ensure this unit is firmly fixed to avoid vibration and slipping while operating as it may result in physical injury.

7 - Ceiling or wall installation :

Please contact your local dealer before attempting any ceiling or wall installation.

8 - Ventilation :

The cooling vents ensure a safe use of this product, and avoid any overheating risk. Do not obstruct or cover these vents as it may result in overheating and potential physical injury or product damage. This product should never be operated in a closed non-ventilated area such as a flight case or a rack, unless cooling vents are provided for the purpose.

9 - Heat exposure :

Sustained contact or proximity with warm surfaces may cause overheating and product damages. Please keep this product away from any heat source such as a heaters, amplifiers, hot plates, etc...

CAUTION

RISK OF ELECTRIC SHOCK

DO NOT OPEN

WARNING : This unit contains no user-serviceable parts. Do not open the housing or attempt any maintenance by yourself. In the unlikely even your unit may require service, please contact your nearest dealer.
In order to avoid any electrical malfunction, please do not use any multi-socket, power cord extension or connecting system without making sure they are perfectly isolated and present no defect.

Sound levels

Our audio solutions deliver important sound pressure levels (SPL) that can be harmful to human health when exposed during long periods. Please do not stay in close proximity of operating speakers.

Recycling your device

- As HITMUSIC is really involved in the environmental cause, we only commercialise clean, ROHS compliant products.
- When this product reaches its end of life, take it to a collection point designated by local authorities. The separate collection and recycling of your product at the time of disposal will help conserve natural resources and ensure that it is recycled in a manner that protects human health and the environment.

10 - Electric power supply :

This product can only be operated according to a very specific voltage. These information are specified on the label located at the rear of the product.

11 - Power cords protection:

Power-supply cords should be routed so that they are not likely to be walked on or pinched by items placed upon or against them, paying particular attention to cords at lugs, convenience receptacles and the point where they exit from the fixture.

12 - Cleaning precautions :

Unplug the product before attempting any cleaning operation. This product should be cleaned only with accessories recommended by the manufacturer. Use a damp cloth to clean the surface. Do not wash this product.

13 - Long periods of non use :

Disconnect the unit's main power during long periods of non use.

14 - Liquids or objects penetration :

Do not let any object penetrate this product as it may result in electric shock or fire. Never spill any liquid on this product as it may infiltrate the electronic components and result in electric shock or fire.

15 - This product should be serviced when :

- Please contact the qualified service personnel if :
- The power cord or the plug has been damaged.
 - Objects have fallen or liquid has been spilled into the appliance.
 - The appliance has been exposed to rain or water.
 - The product does not appear to operate normally.
 - The product has been damaged.

16 - Inspection/maintenance :

Please do not attempt any inspection or maintenance by yourself. Refer all servicing to qualified personnel.

17 - Operating environment :

Ambient temperature and humidity: +5 - +35°C, relative humidity must be less than 85% (when cooling vents are not obstructed).

Do not operate this product in a non-ventilated, very humid or warm place.

2 - Main features

- 1/2/4 microphone inputs via XLR plugs
- 1/2/4 Jack 6.35 balanced line input.
- 1/2 unbalanced stereo inputs on RCA and 3.5 jack
- 2-band equalizer on mic/line and stereo channels
- Gain control for each channel
- AUX level setting on each channel (Mi4U et Mi6U)
- Balanced MAIN output on 6.35 Jack
- Unbalanced Record output via RCA plugs
- Balanced AUX output on 6.35 Jack (Mi4U et Mi6U)
- Monitoring output via stereo Jack 6.35
- 1 USB port for connecting a computer (Mi4U et Mi6U)
- LED vu-meter for MAIN output

3 - Technical specifications

	Mi3	Mi4U	Mi6U
Frequency response	20Hz - 20KHz		
THD @ +10dBu	< 0.008%		
Residual noise	MAIN output : -103dB		
	AUX SEND output : -90dB (only for Mi4U and Mi6U)		
Input gain	Microphone : from 0dB to +45dB		
	Line : -20dB à +25dB		
Phantom	+48V DC		
EQ	HIGH : +/- 15dB @ 12KHz		
	LOW : +/- 15dB @ 80Hz		
Max. output level	MAIN/AUX SEND : +21 dBu		
	Headphone output : +18 dBu		
Input impedance	Microphone : 2,3 K Ohms balanced		
	Line : 20 K Ohms balanced		
	Aux / RCA : 24 K Ohms unbalanced		
Output impedance	MAIN / AUX SEND : 120 Ohms		
	REC OUT : 1 K Ohms		
	PHONES : 25 Ohms		
Vu-meter	-20 dB, -10 dB, 0dB , clip		
Power supply	AC100-240V 50/60 Hz > DC12V 1A switch power adapter		
Power consumption	11W		
Size (H x W x T)	165 x 120 x 68 mm	220 x 160 x 68 mm	220 x 210 x 68 mm
Weight	0.68 Kg	0.78 Kg	0.98 Kg

3 - Preparation

Checking the package contents

The package must contain the following articles:

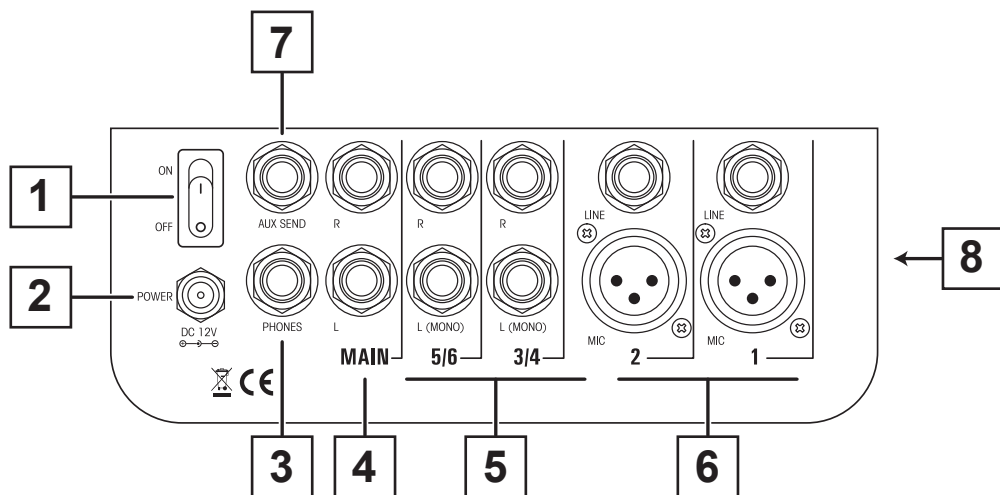
- Your MYA5D
- The user guide
- 1 CEE Power cord

Installation

- Install your device over an even surface.
- Please make sure your mixer is set up in a ventilated area, unexposed to sun rays, excessive temperatures or humidity.

4 - Presentation

Rear panel



1 Power switch

2 Power supply socket

Connector for the supplied power supply unit.
Use only the supplied power supply unit or its equivalent.

3 Headphones output

This stereo Jack 6.35 allows you to connect your headphones to monitor sound outputs..



Please make sure the headphones are at their lowest volume before connecting them.

4 Balanced MAIN output

This balanced 6.35 Jack stereo output allows you to carry sound signals over long distances without quality losses.

This is the best system for sound processing with balanced outputs. The volume of this output can be adjusted via the MAIN knob.

5 Stereo inputs

Inputs on Jack 6.35. Input L(MONO) allows the same signal to be injected on both sides of the MAIN output

6 MIC/LINE inputs

- Balanced Mic input via XLR.
- Balanced line input via 6.35 TRS jack.

7 AUX SEND output

Balanced output via 6.35 TRS Jack.

8 USB port on the side (only Mi4U and Mi6U)

This input allows you to connect a computer equipped with USB ports. Your Mi acts like a sound card to your computer. Your computer will take a few moments to identify the internal interface. Once identified, your Mi will be detected as audio device.

The USB port allows you to play and record audio data directly from your computer.

All you need is plugging a USB cable from your computer to your console and the drivers will automatically launch their installation. You will then be able to read any audio file such as MP3, WMA, WAV...

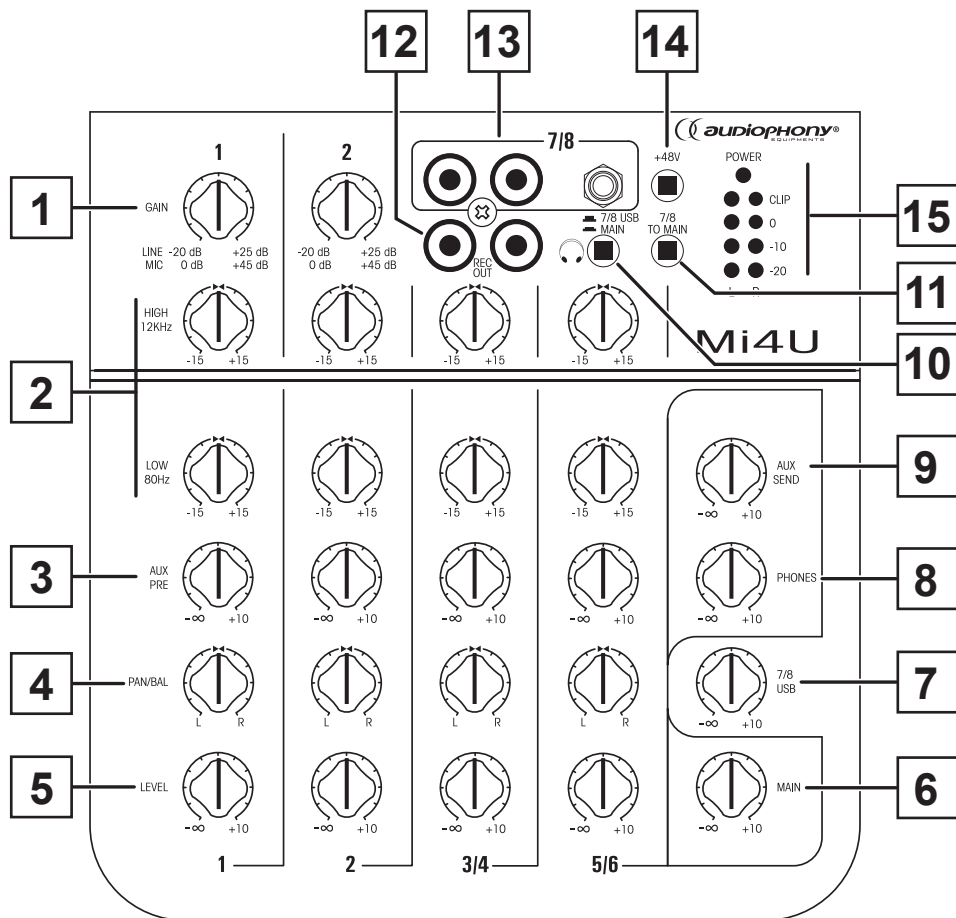
You can also directly record your set onto your computer.

The USB port can record and play at the same time thanks to the Full duplex system.

The USB interface of your mixer is detected as a standard USB sound card (USB Audio Device or USB Audio CODEC).

All audio signals from your computer will be carried to the console via USB cable, combining a vast audio database with the ease of use of your Mi.

Front panel



1 Gain control knobs

These control knobs allow you to adjust the input level on each channel. Adjusting the input level is crucial to produce a perfect sound quality. High input levels might create sound distortions which may damage your amplifiers and speakers.

2 Equalization

Each channel features a 2-way equalizer. These control knobs can increase or decrease low frequencies (LOW) or trebles (HIGH) of the output signal.

- **HIGH** (High Frequency control): Allows you to adjust the trebles volume from +15 and -15 dB at 12kHz. Turn it clockwise to increase the volume, counterclockwise to decrease the volume.

- **LOW** (low frequency control): Allows you to adjust the basses volume from +15 and -15 dB at 80Hz. Turn it clockwise to increase the volume, counterclockwise to decrease the volume..

Caution: These settings may affect the clip level.

3 AUX PRE stting

This button adjusts the signal level of each channel that will be sent to the AUX bus.

The sent signal is pre-fader.

4 PAN/BAL setting

These settings allow you to:

- For MIC/LINE channels, adjust the amount of signal sent to the right or left side of the MAIN output (PAN).

-For stereo channels to adjust the right and left levels of inputs sent to the MAIN output (BAL)

5 LEVEL setting

These knobs can be used to adjust the volume of each channel.

6 MAIN setting

Allows you to adjust the volume of the main output labeled **MAIN** at the rear.

7 5/6, 7/8 or 9/10 USB

This rotary knob adjusts the level of the stereo input 5/6(Mi3), 7/8(Mi4U) or 9/10(Mi6U) and USB channel.

8 PHONE setting

Allows you to configure the headphones output volume. Turn it clockwise to increase the volume.



Please make sure the headphones are at their lowest volume before connecting them.

9 AUX SEND setting

This rotary knob is used to adjust the level of the signal sent to the AUX SEND output.

10 5/6, 7/8 or 9/10 USB / MAIN switch

This switch allows you to send either the 5/6, 7/8 or 9/10 USB input signals or the MAIN signal to the headphone output (PHONE).

11 5/6, 7/8 or 9/10 TO MAIN switch

This switch allows you to send the signal present on the 5/6, 7/8 or 9/10 input directly to the MAIN output.

12 REC OUT output

This line level output on RCA plugs sends the result of the current mix to a recording device.

13 5/6, 7/8 or 9/10 input

Line level input on RCA or Jack 3.5 plug.

You can connect either a CD player, MP3 player, computer, mobile phone, etc. to this input.

Its level depends on the 5/6, 7/8 or 9/10 USB setting (7).

14 +48V switch

This switch enables phantom power on microphone channels.

15 VU meters

These indicators allow you to visualise the volume of the Master output (MAIN).

When reaching the red zone, the volume is too high and the sound output might be distorted.

Because AUDIOPHONY® takes the utmost care in its products to make sure you only get the best possible quality, our products are subjects to modifications without prior notice. That is why technical specifications and the products physical configuration might differ from the illustrations.

Make sure you get the latest news and updates about the AUDIOPHONY® products on www.audiophony.com
AUDIOPHONY® is a trademark of HITMUSIC S.A.S - Zone Cahors sud - 46230 FONTANES - FRANCE