

User Manual For Laptop Stand

Thank you for buying this professional laptop stand.
 This stand is ideal for DJs, Musicians, and Lighting designers.
 It can hold a laptop as wide as 17". It may be used to support
 other machinery including mixers, controllers, printers, etc.
 It can be placed on the table .

Adjustable width: 24cm, 26.5cm, 29cm

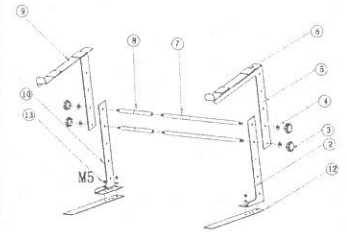
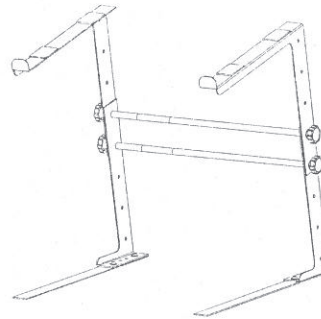
Adjustable height: 23.5cm, 27.5cm, 31.5cm, 36cm

Packing box size: 33*36*4.7cm

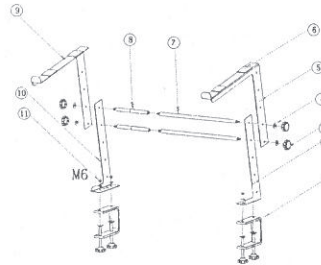
Installation instructions

1. Install the stand as per one of the following drawings.
2. Tighten the screws and knobs.
3. Place the laptop on the stand.
4. Please do not throw away any of the parts or packaging.
5. After use, please return all the parts into the same packaging
6. for future use.

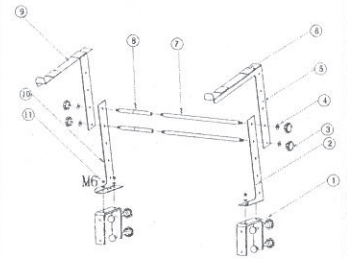
PART NO	PART NAME	QTY(PCS)	PART NO	PART NAME	QTY(PCS)
1	Table or case clamp.	2	8	Width adding piece	2
2	Right bottom support	1	9	Left top holder	1
3	Plastic Knob	4	10	Left bottom support	1
4	Rubber wash	8	11	M6 Screw	4
5	Right top holder	1	12	Level table bar	2
6	EVA pad	4	13	M5 Screw	4
7	Cross rod	2			



Place on the table



Clamp on the table



Clamp on the case