

**Acute-08**  
9595/9596

**Acute-08/Amp**  
8738

**Acute-10**  
9704

**Acute-10/Amp**  
9703

**Acute-12**  
8671

**Acute-12/Amp**  
8673

**Acute-15**  
8672

**Acute-15/Amp**  
8674

# 1 - Safety information

## Important safety information



This unit is intended for indoor use only. Do not use it in a wet, or extremely cold/hot locations. Failure to follow these safety instructions could result in fire, electric shock, injury, or damage to this product or other property.



This product contains non-isolated electrical components. Do not undertake any maintenance operation when it is switched on as it may result in electric shock.



Any maintenance procedure must be performed by a CONTEST authorised technical service. Basic cleaning operations must thoroughly follow our safety instructions.



**CAUTION**  
RISK OF ELECTRIC SHOCK  
DO NOT OPEN



**WARNING :** This unit contains no user-serviceable parts. Do not open the housing or attempt any maintenance by yourself. In the unlikely even your unit may require service, please contact your nearest dealer. In order to avoid any electrical malfunction, please do not use any multi-socket, power cord extension or connecting system without making sure they are perfectly isolated and present no defect.



### Risk of electrocution

To prevent the hazard of electric shocks, do not use extension cords, multi-socket or any other connection system without making sure metal parts completely are out of reach.



### Sound levels

Our audio solutions deliver important sound pressure levels (SPL) that can be harmful to human health when exposed during long periods. Please do not stay in close proximity of operating speakers.



### Recycling your device

- As HITMUSIC is really involved in the environmental cause, we only commercialise clean, ROHS compliant products.
- When this product reaches its end of life, take it to a collection point designated by local authorities. The separate collection and recycling of your product at the time of disposal will help conserve natural resources and ensure that it is recycled in a manner that protects human health and the environment.

### Symbols used



This symbol signals an important safety precaution.



The CAUTION symbol signals a risk of product deterioration.



The WARNING symbol signals a risk to the user's physical integrity. The product may also be damaged.

**Instructions and recommendations**

**1 - Please read carefully :**

We strongly recommend to read carefully and understand the safety instructions before attempting to operate this unit.

**2 - Please keep this manual :**

We strongly recommend to keep this manual with the unit for future reference.

**3 - Operate carefully this product :**

We strongly recommend to take into consideration every safety instruction.

**4 - Follow the instructions:**

Please carefully follow each safety instruction to avoid any physical harm or property damage.

**5 - Avoid water and wet locations :**

Do not use this product in rain, or near washbasins or other wet locations.

**6 - Installation :**

We strongly encourage you to only use a fixation system or support recommended by the manufacturer or supplied with this product. Carefully follow the installation instructions and use the adequate tools.

Always ensure this unit is firmly fixed to avoid vibration and slipping while operating as it may result in physical injury.



**7 - Ceiling or wall installation :**

Please contact your local dealer before attempting any ceiling or wall installation.

**8 - Ventilation :**

The cooling vents ensure a safe use of this product, and avoid any overheating risk. Do not obstruct or cover these vents as it may result in overheating and potential physical injury or product damage. This product should never be operated in a closed non-ventilated area such as a flight case or a rack, unless cooling vents are provided for the purpose .



**9 - Heat exposure :**

Sustained contact or proximity with warm surfaces may cause overheating and product damages. Please keep this product away from any heat source such as a heaters, amplifiers, hot plates, etc...

**10 - Electric power supply :**

This product can only be operated according to a very specific voltage. These information are specified on the label located at the rear of the product.



**11 - Power cords protection:**

Power-supply cords should be routed so that they are not likely to be walked on or pinched by items placed upon or against them, paying particular attention to cords at lugs, convenience receptacles and the point where they exit from the fixture.



**12 - Cleaning precautions :**

Unplug the product before attempting any cleaning operation. This product should be cleaned only with accessories recommended by the manufacturer. Use a damp cloth to clean the surface. Do not wash this product.



**13 - Long periods of non use :**

Disconnect the unit's main power during long periods of non use.

**14 - Liquids or objects penetration :**

Do not let any object penetrate this product as it may result in electric shock or fire. Never spill any liquid on this product as it may infiltrate the electronic components and result in electric shock or fire.



**15 - This product should be serviced when :**

Please contact the qualified service personnel if :

- The power cord or the plug has been damaged.
- Objects have fallen or liquid has been spilled into the appliance.
- The appliance has been exposed to rain or water.
- The product does not appear to operate normally.
- The product has been damaged.



**16 - Inspection/maintenance :**

Please do not attempt any inspection or maintenance by yourself. Refer all servicing to qualified personnel.



**17 - Operating environment :**

Ambient temperature and humidity: +5 - +35°C, relative humidity must be less than 85% (when cooling vents are not obstructed). Do not operate this product in a non-ventilated, very humid or warm place.



## 2 - Introduction

Thanks for choosing the AUDIOPHONY® ACUTE series.

The ACUTE series features plastic speakers producing high sound pressure levels and designed to bring the best performances of their price range.

We kept several criterias while designing these speakers:

- High power handling and unsurpassed sound quality.
- Wide and smooth basses and trebles rendering.
- Sophisticated ergonomy for transportation and installation.

The combined effort of our engineers allowed us to meet our expectations, they created a speaker series perfect for any situation: Home Cinema, live performances, studios, ... etc.

### About the housing

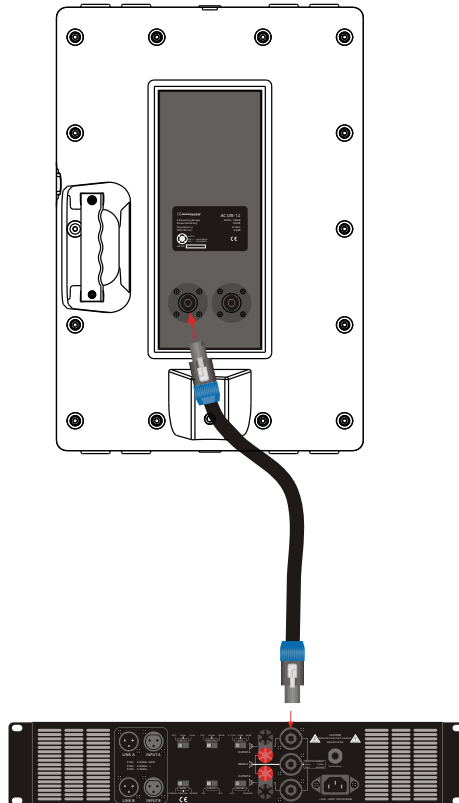
The ACUTE series speakers were designed to be among the most resistant molded speakers on the market. The materials used ensure enough rigidity to eliminate parasitic noises.

Each speaker features rigging points to stack several speakers and baseplates to use speaker stands.

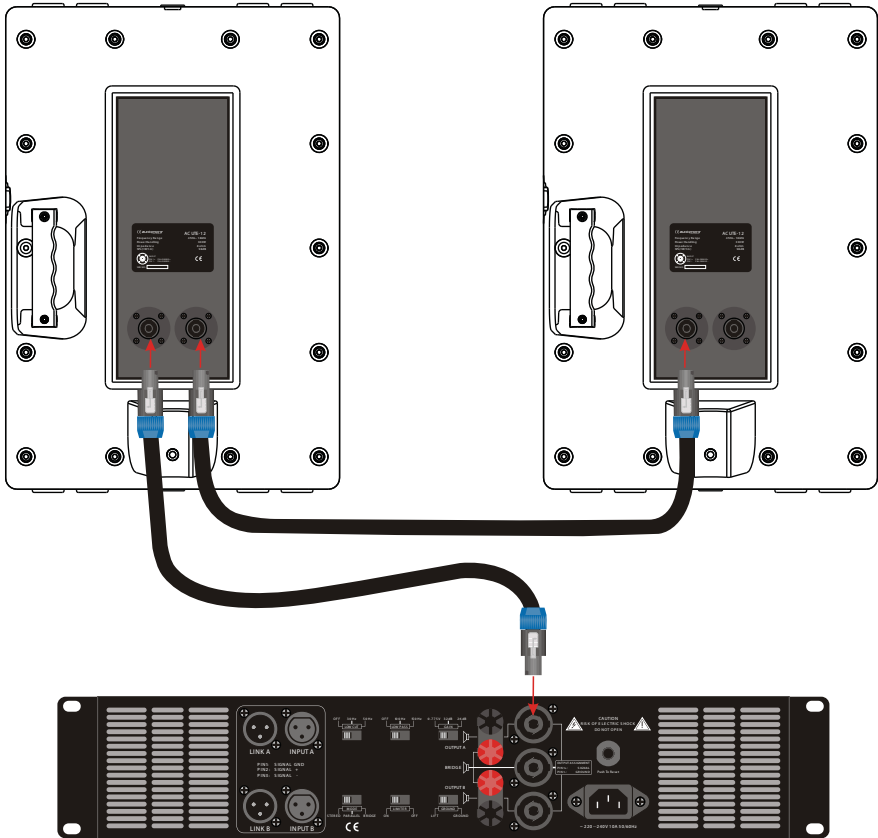
Even though they are incredibly good in their default configuration, their monitor-specific angles allow them to be used as monitoring speakers.

## 3 - Wiring

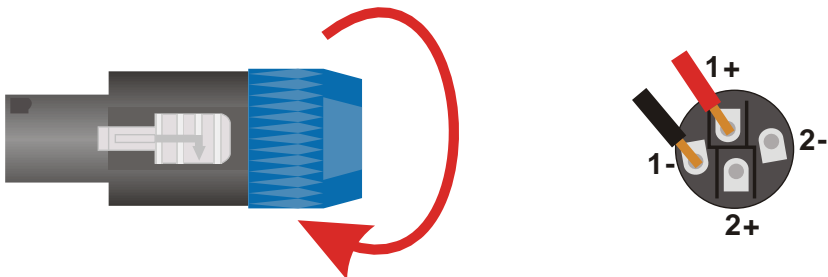
### 3 - 1 Standard passive wiring: ACUTE-08, ACUTE-10, ACUTE-12 and ACUTE-15



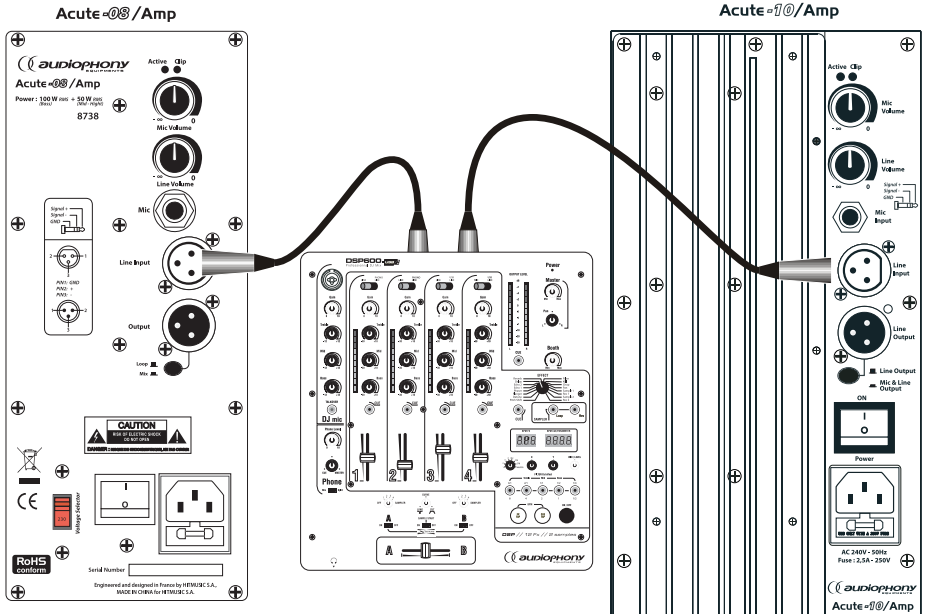
3 - 2 Passive parallel wiring: ACUTE-08, ACUTE-10, ACUTE-12 and ACUTE-15



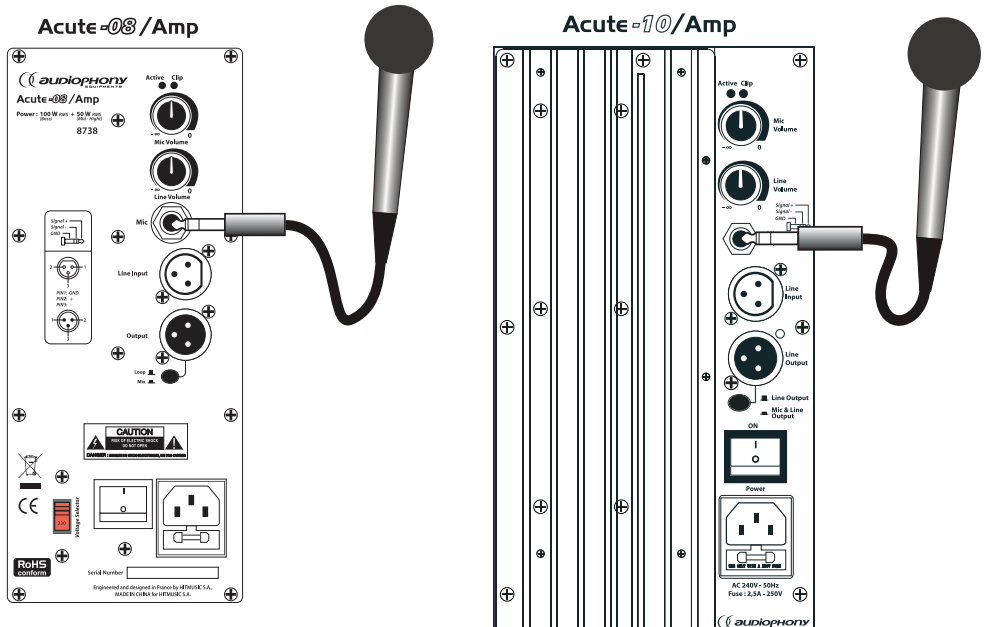
3 - 3 Connectors wiring: ACUTE-08, ACUTE-10, ACUTE-12 and ACUTE-15



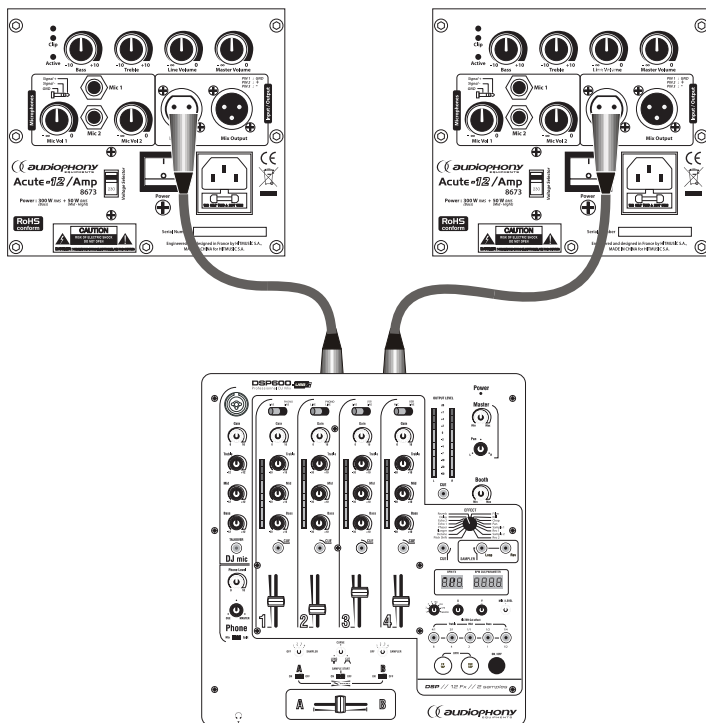
3 - 4 Wiring active speakers: ACUTE-08/AMP and ACUTE-10/AMP



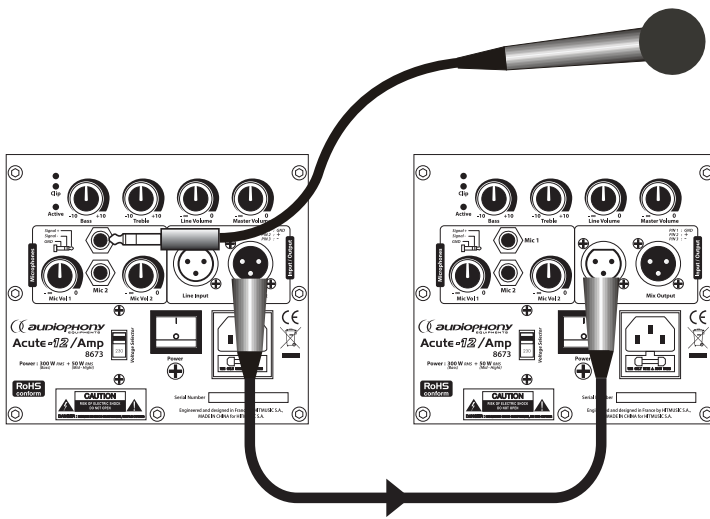
3 - 5 Connecting a microphone to active speakers: ACUTE-08/AMP and ACUTE-10/AMP



3 - 5 Active speakers wiring: ACUTE-12/AMP et ACUTE-15/AMP

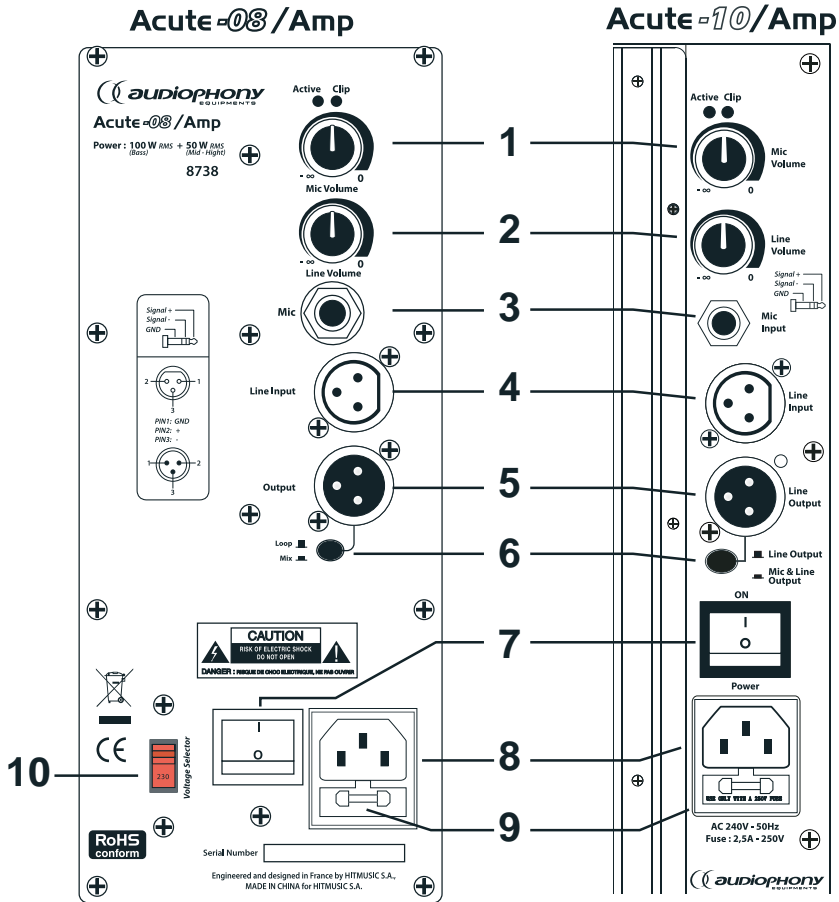


3 - 6 Connecting a microphone to active speakers: ACUTE-12/AMP and ACUTE-15/AMP



## 4 - Overview

### 4 - 1 Amplification module overview: ACUTE-08/AMP and ACUTE-10/AMP



**1 - Microphone volume control.**

**2 - Line volume control.**

**3 - Microphone input.**

**4 - Line input**

Connect here the output of your mixing desk or extra active speaker.

**5 - Line output**

**6 - LOOP / MIX Selector (LINE OUT / MIC OUT)**

LOOP : Includes the LINE IN signal only

MIX : Contient le mix entre LINE IN et MIC IN.

**7 - POWER Switch**

Turns the amplification module ON/OFF.

**8 - Power input socket**

Use the supplied power cord to connect the unit to an electrical outlet.

**9 - Fuse compartment**

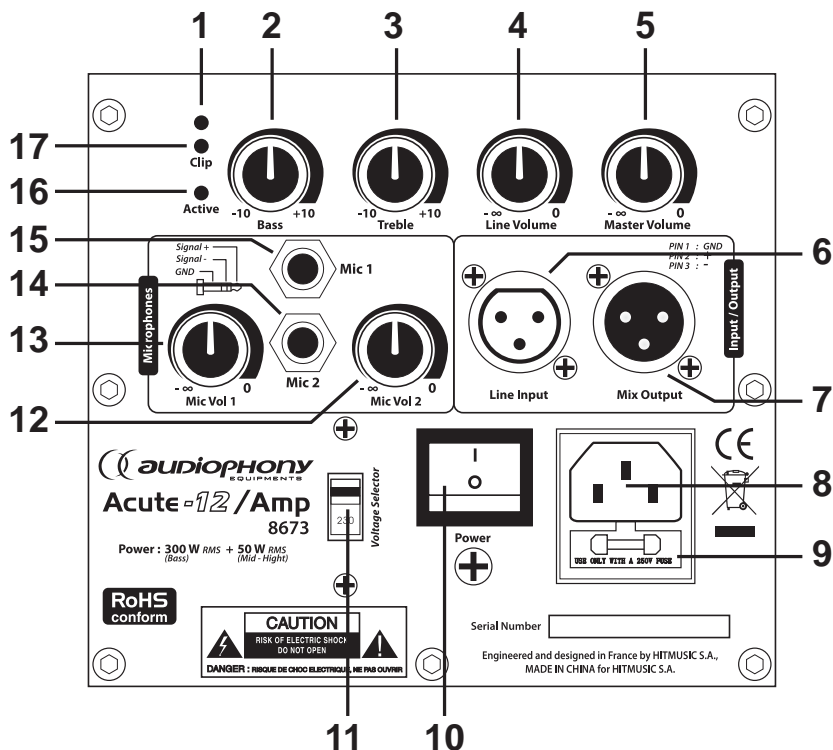
If need to replace the fuse, please make sure the new one has the exact same characteristics to prevent any damage to your speaker.

**10 - Voltage selector**

Use this switch to adapt the speaker to the voltage of the electrical outlet. (Available with the ACUTE\_8/AMP only)



4 - 2 Amplification module overview: ACUTE-12/AMP and ACUTE-15/AMP



**1 - Trebles clip LED**

Lights up when trebles reach saturation.

**2 - Bass volume control**

From -10 to +10 dB.

**3 - Treble volume control**

From -10 to +10 dB.

**4 - Line volume control**

Affects the MIX OUTPUT sound level.

**5 - Main volume control**

**6 - Line input**

Connect here the output of your mixing desk or extra active speaker.

**7 - MIX Output**

Allows you to connect an extra active speaker or amplifier. This output combines together the signals of all inputs.

**8 - Power input socket**

Use the supplied power cord to connect the unit to an electrical outlet.

**9 - Fuse compartment**

If need to replace the fuse, please make sure the new one has the exact same characteristics to prevent any damage to your speaker.

**10 - POWER Switch**

Turns the amplification module ON/OFF.

**11- Voltage selector**

Use this switch to adapt the speaker to the voltage of the electrical outlet.

**12 - Microphone 2 volume control**

**13 - Microphone 1 volume control**

**14 - Microphone 2 input**

**15 - Microphone 1 input**

**16 - Power LED**

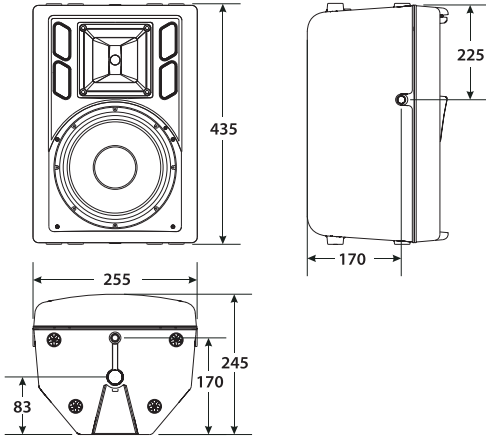
Lights up when the speaker is ON.

**17 - LF clip LED**

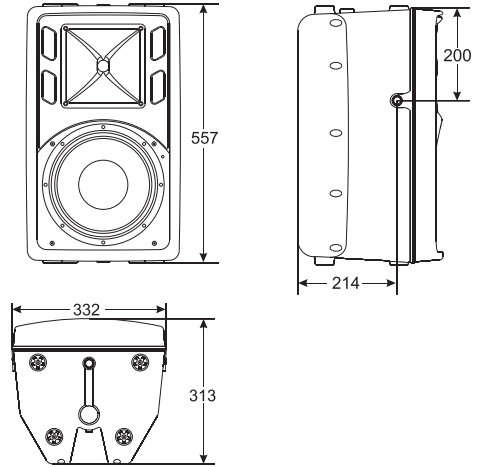
Lights up when basses reach saturation.

5 - Dimensions

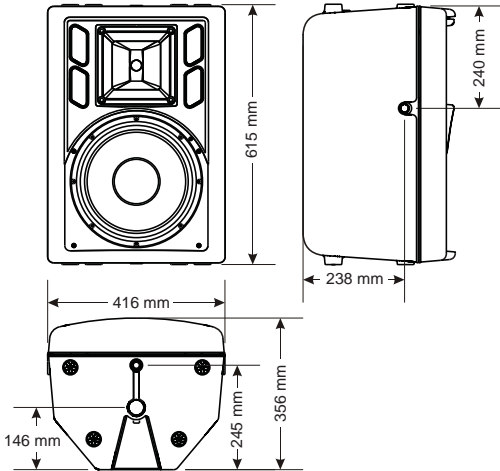
5 - 1 ACUTE-08 and ACUTE-08/AMP



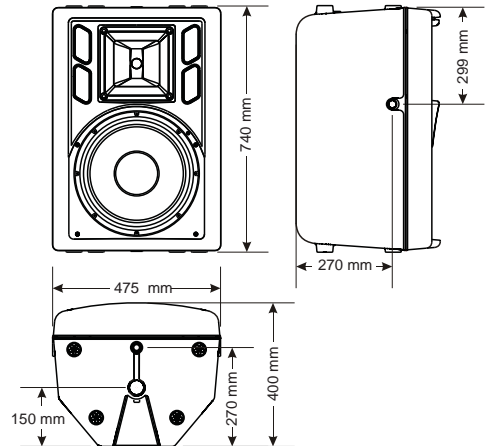
ACUTE-10 and ACUTE-10/AMP



5 - 2 ACUTE-12 and ACUTE-12/AMP



ACUTE-15 and ACUTE-15/AMP



## 6 - Technical specifications

### 6 - 1 ACUTE-08/AMP

#### MAIN CHARACTERISTICS

- Frequency response: (-3dB) 70 Hz - 20 kHz
- Frequency range (-10dB) : 60 Hz - 20 kHz
- SPL Max. Peak @1 m: 117 dB
- SPL Max. (Long term) @1 m: 114 dB
- Filter: Linkwitz-Riley - 24 dB/Oct @ 3.5 KHz
- Horizontal dispersion: 90°
- Vertical dispersion: 60°

#### AUDIO CHARACTERISTICS

- Input : Symmetrical
- Impedance: 20 KOhms
- Sensitivity:
  - Line: 0dBu
  - Mic: -32 dBu
- Max input level: +18 dBu
- High-pass input filters: 30 Hz - second-order
- Operating temperature: -10 C to 45°

#### AMPLIFIERS

##### *Bass amplifier*

- Power output: 100 W
- Harmonic distortion: < 0,1%
- Cooling system: Convection
- Amplification: Class AB

##### *HF amplifier*

- Power output: 50 W
- Harmonic distortion : < 0,1%
- Cooling system: Convection
- Amplification: Class AB

#### TRANSDUCERS

##### *Subwoofer*

- Diameter: 8" / 203 mm
- Coil diameter: 2" / 50 mm
- Frequency response: 45 Hz - 3 kHz
- Sensitivity (1W@1M): 94 dB
- Nominal impedance: 4 Ohms
- Power handling: 120 W

##### *Tweeter*

- Membrane diameter: 1.5 pouces / 34 mm
- Membrane material: Aluminium
- Frequency response: 1.5 kHz - 20 kHz
- Sensitivity (1W@1M) : 105 dB
- Nominal impedance: 8 Ohms
- Power handling : 30W

#### PHYSICAL CHARACTERISTICS

- Height: 435 mm
- Width: 255 mm
- Depth: 245 mm
- Net weight: 9.5 kg

### 6 - 2 ACUTE-08

#### MAIN CHARACTERISTICS

- Frequency response: (-3dB) 70 Hz - 20 kHz
- Frequency range (-10dB) : 60 Hz - 20 kHz
- SPL Max. Peak @1 m: 117 dB
- SPL Max. (Long term) @1 m: 114 dB
- Filter: Linkwitz-Riley - 24 dB/Oct @ 3.5 KHz
- Horizontal dispersion: 90°
- Vertical dispersion: 60°

#### TRANSDUCERS

##### *Subwoofer*

- Diameter: 8" / 203 mm
- Coil diameter: 2" / 50 mm
- Frequency response: 45 Hz - 3 kHz
- Sensitivity (1W@1M): 94 dB
- Nominal impedance: 4 Ohms
- Power handling: 120 W

##### *Tweeter*

- Membrane diameter: 1.5 pouces / 34 mm
- Membrane material: Aluminium
- Frequency response: 1.5 kHz - 20 kHz
- Sensitivity (1W@1M) : 105 dB
- Nominal impedance: 8 Ohms
- Power handling : 30W

#### PHYSICAL CHARACTERISTICS

- Height: 435 mm
- Width: 255 mm
- Depth: 245 mm
- Net weight: 9.5 kg

**6 - 3 ACUTE-10****MAIN CHARACTERISTICS**

- Frequency response: (-3dB) 70 Hz - 20 kHz
- Frequency range (-10dB) : 60 Hz - 20 kHz
- Impedance: 8 Ohms
- Sensitivity: 95 dB
- Power handling (Program) : 250 W
- Power handling (Max.) : 1000 W
- SPL Max. Peak @1 m : 125 dB
- SPL Max. (Long term) @1 m : 121 dB
- Cut-off frequency: 2 kHz
- Horizontal dispersion: 80°
- Vertical dispersion: 60°
- Output connectors: Speakon NL-4 x 2
- Operating temperature: -10 C to 55°

**TRANSDUCERS****Subwoofer**

- Diameter: 10" / 65 mm
- Frequency response: 60 Hz - 3 kHz
- Sensitivity (1W@1M) : 95 dB
- Nominal impedance: 8 Ohms
- Power handling: 250 W

**6 - 4 . ACUTE-10/AMP****MAIN CHARACTERISTICS**

- Frequency response: (-3dB) 70 Hz - 20 kHz
- Frequency range (-10dB): 60 Hz - 20 kHz
- Impedance: 8 Ohms
- Sensitivity: 95 dB
- Power handling (Program): 300 W
- Power handling (Max.): 1200 W
- SPL Max. Peak @1 m: 125 dB
- SPL Max. (long term) @1 m : 122 dB
- Cutoff frequency: 2 kHz
- Horizontal dispersion: 80°
- Vertical dispersion: 60°
- Output connectors: Speakon NL-4 x 2
- Operating temperature: -10 C to 55°

**AUDIO CHARACTERISTICS**

- Input: Balanced
- Impedance: 22 KOhms
- Sensitivity:
  - Line: 0dBu
  - Mic: -32 dBu
- Max input level: +18 dBu
- High-pass filter: 30 Hz - second-order
- Operating temperature: -10 C to 45°

**AMPLIFIERS****Bass amplifier**

- Power output: 250 W
- Harmonic distortion: < 0,1%

**Tweeter**

- Membrane diameter: 1" / 34,5 mm
- Membrane material: Titanium
- Frequency response: 1 kHz - 20 kHz
- Sensitivity (1W@1M) : 106 dB
- Nominal impedance: 8 Ohms
- Power handling: 50 W

**PHYSICAL CHARACTERISTICS**

- Height: 557 mm
- Width: 332 mm
- Depth: 313 mm
- Net weight: 16 kg

- Cooling system: Convection
- Amplification: Class G

**HF amplifier**

- Power output: 50 W
- Harmonic distortion: < 0,1%
- Cooling system: Convection
- Amplification: Class AB

**TRANSDUCERS****Subwoofer**

- Diameter: 10" / 65 mm
- Frequency response: 60 Hz - 3 kHz
- Sensitivity (1W@1M) : 95 dB
- Nominal impedance: 4 Ohms
- Power handling: 250 W

**Tweeter**

- Membrane diameter: 1" / 34,5 mm
- Membrane material: Titanium
- Frequency response: 1 kHz - 20 kHz
- Sensitivity (1W@1M): 106 dB
- Nominal impedance: 8 Ohms
- Power handling: 50 W

**PHYSICAL CHARACTERISTICS**

- Height: 557 mm
- Width: 332 mm
- Depth: 313 mm
- Net weight: 18 kg

**6 - 2 ACUTE-12****MAIN CHARACTERISTICS**

- Frequency response: (-3dB) 50 Hz - 18 kHz
- Frequency range(-10dB) : 40 Hz - 20 kHz
- Impedance: 8 Ohms
- Sensitivity: 98 dB
- Power handling (Program) : 300 W
- Power handling (Max.) : 1200 W
- SPL Max. Peak @1 m : 129 dB
- SPL Max. (Long term) @1 m : 123 dB
- Cut-off frequency: 2 kHz
- Horizontal dispersion: 80°
- Vertical dispersion: 60°
- Output connectors: Speakon NL-4 x 2
- Operating temperature: -10 C to 55°

**TRANSDUCERS****Subwoofer**

- Diameter: 12" / 300 mm
- Coil diameter: 3" / 75 mm
- Frequency response: 45 Hz - 3 kHz
- Sensitivity (1W@1M): 98 dB
- Nominal impedance: 8 Ohms
- Power handling: 300 W

**6 - 3 ACUTE-12/AMP****MAIN CHARACTERISTICS**

- Frequency response: (-3dB) 50 Hz - 18 kHz
- Frequency range(-10dB) : 40 Hz - 20 kHz
- SPL Max. Peak @1 m : 127 dB
- SPL Max. (Long term) @1 m : 124 dB
- Filter: Linkwitz-Riley - 24 dB/Oct @ 2,2 KHz
- Horizontal dispersion: 80°
- Vertical dispersion: 60°

**AUDIO CHARACTERISTICS**

- Input: Balanced
- Input impedance: 22 KOhms
- Sensitivity:
  - Line: 0dBu
  - Mic: -32 dBu
- Max input level: +18 dBu
- High-pass filter: 30 Hz - second-order
- Operating temperature: -10 C to 45°

**AMPLIFIERS****LF amplifier**

- Power output: 300 W
- Harmonic distortion: < 0,1%
- Cooling system: Convection
- Amplification : Class G

**Tweeter**

- Membrane diameter: 1.75" / 44,5 mm
- Membrane material: Titanium
- Frequency response: 1 kHz - 20 kHz
- Sensitivity (1W@1M): 106 dB
- Nominal impedance: 8 Ohms
- Power handling: 50 W

**PHYSICAL CHARACTERISTICS**

- Height: 615 mm
- Width: 416 mm
- Depth: 356 mm
- Net weight: 21 kg

**HF amplifier**

- Power output: 50 W
- Harmonic distortion: < 0,1%
- Cooling system: Convection
- Amplification: Class AB

**TRANSDUCERS****Subwoofer**

- Diameter: 12" / 300 mm
- Coil diameter: 3" / 75 mm
- Frequency response: 45 Hz - 3 kHz
- Sensitivity (1W@1M): 98 dB
- Nominal impedance: 4 Ohms
- Handling power: 300 W

**Tweeter**

- Membrane diameter: 1.75" / 44,5 mm
- Membrane material: Titanium
- Frequency response: 1 kHz - 20 kHz
- Sensitivity (1W@1M): 106 dB
- Nominal impedance: 8 Ohms
- Power handling: 50 W

**PHYSICAL CHARACTERISTICS**

- Height: 615 mm
- Width: 416 mm
- Depth: 356 mm
- Net weight: 25 kg

## 6 - 4 ACUTE-15

### MAIN CHARACTERISTICS

- Frequency response: (-3dB) 45 Hz - 18 kHz
- Frequency range (-10dB): 40 Hz - 20 kHz
- Impedance: 8 Ohms
- Sensitivity: 99 dB
- Power handling (Program): 350 W
- Power handling (Max.): 1400 W
- SPL Max. Peak @1 m: 130,5 dB
- SPL Max. (long term) @1 m: 124,5 dB
- Cut-off frequency: 1,7 kHz
- Horizontal dispersion: 80°
- Vertical dispersion: 60°
- Output connectors: Speakon NL-4 x 2
- Operating temperature: -10 C to 55°

### TRANSDUCERS

#### *Subwoofer*

- Diameter: 15" / 381 mm
- Coil diameter: 3" / 75 mm
- Frequency response: 40 Hz - 3 kHz
- Sensitivity (1W@1M): 99 dB
- Nominal impedance: 8 Ohms
- Power handling: 350 W

## 6 - 5 ACUTE-15/AMP

### MAIN CHARACTERISTICS

- Frequency response: (-3dB) 45 Hz - 18 kHz
- Frequency range (-10dB): 40 Hz - 20 kHz
- SPL Max. Peak @1 m: 128,5 dB
- SPL Max. (Long term) @1 m: 125,5 dB
- Filter: Linkwitz-Riley - 24 dB/Oct @ 2,6 KHz
- Horizontal dispersion: 80°
- Vertical dispersion: 60°

### AUDIO CHARACTERISTICS

- Input : Balanced
- Input impedance: 22 KOhms
- Sensitivity:
  - Line: 0dBu
  - Mic: -32 dBu
- Max. input level: +18 dBu
- High-pass filter: 30 Hz - second-order
- Operating temperature: -10 C to 45°

### AMPLIFIERS

#### *LF amplifier*

- Power output: 350 W
- Harmonic distortion: < 0,1%
- Cooling system: Convection
- Amplification: Class G

#### *Tweeter*

- Membrane diameter: 1.75" / 44,5 mm
- Membrane material: Titanium
- Frequency response: 1kHz - 20kHz
- Sensitivity (1W@1M): 106dB
- Nominal impedance: 8 Ohms
- Power handling: 50 W

### PHYSICAL CHARACTERISTICS

- Height: 740 mm
- Width: 475 mm
- Depth: 400 mm
- Net weight: 25 kg

#### *HF amplifier*

- Power output: 50 W
- Harmonic distortion: < 0,1%
- Cooling system: Convection
- Amplification: Class AB

### TRANSDUCERS

#### *Subwoofer*

- Diameter: 15" / 381 mm
- Coil diameter: 3" / 75 mm
- Frequency response: 40 Hz - 3 kHz
- Sensitivity (1W@1M): 99 dB
- Nominal impedance: 4 Ohms
- Power handling: 350 W

#### *Tweeter*

- Membrane diameter: 1.75" / 44,5 mm
- Membrane material: Titanium
- Frequency response: 1 kHz - 20 kHz
- Sensitivity (1W@1M): 106 dB
- Nominal impedance: 8 Ohms
- Power handling: 50 W

### PHYSICAL CHARACTERISTICS

- Height: 740 mm
- Width: 475 mm
- Depth: 400 mm
- Net weight: 30 kg



Because AUDIOPHONY® takes the utmost care in its products to make sure you only get the best possible quality, our products are subjects to modifications without prior notice. That is why technical specifications and the products physical configuration might differ from the illustrations.  
Make sure you get the latest news and updates about the AUDIOPHONY® products on [www.audiophony.com](http://www.audiophony.com)  
AUDIOPHONY® is a trademark of HITMUSIC S.A. - Zone Cahors sud - 46230 FONTANES - FRANCE